

## PRESSURE REGULATORS

Stainless steel

## TCR 6X HI SERIES



STANDARD SERIES FROM 1/4" TO 3/4", 60 BAR

OIL & GAS



Pressure Regulators made of stainless steel 316 L designed and manufactured for heavy-duty applications. Control system with convoluted diaphragm for the best stability and precision. Balanced poppet-valve (shutter) to keep the outlet pressure almost constant and independent from inlet pressure fluctuations. Self-relieving execution for exhausting over-pressure, just for compressed air application. Outlet pressure range till to 50 bar (725 psi). Adjusting by screw with hex. head. Connections for outlet pressure gauge on both sides. Special version (i.e. no self-relieving for gases and liquid) on request.

**Important:** the use of an upstream filter is always recommended.

### APPLICATIONS:

- Pharmaceutical industry;
- Chemical industry;
- Oil & gas and Off Shore applications
- Food industry

### FEATURES:

- Particular attention to the low level of surface roughness, to grant high cleaning standard;
- Compatible for use in aggressive environments;
- Suitable for extreme temperatures (-60°C), critical environments, hazardous applications;
- Suitable to be cleaned and sanitized by the most common processes;

### MATERIALS

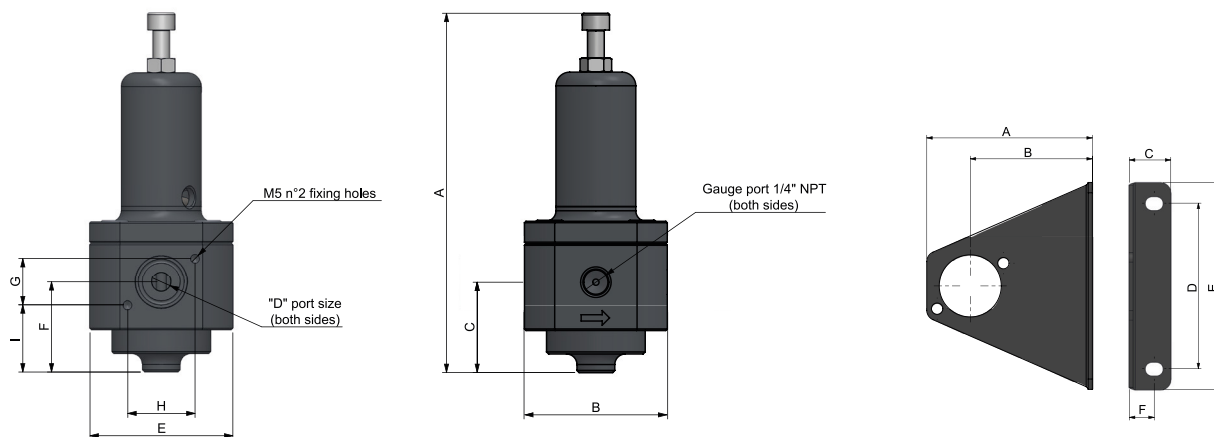
Body, bonnet	316L stainless steel
Seals	NBR – EPDM - FKM - Silicone
Diaphragm	NBR – EPDM - FKM - Silicone
Internal parts	316L stainless steel
Shutter	PU - NBR – EPDM - FKM - Silicone

### TECHNICAL DATA

	1/4" – 3/8" SERIES I	1/2" – 3/4" L SERIES II
Port thread	1/4" – 3/8" BSP F ; 1/4" – 3/8" NPT F	1/2" - 3/4" BSP F ; 1/2" - 3/4" NPT F
P. max Inlet	60 Bar (50 bar Temp > 80°C) Optional version TCR7 70 BAR	
Range outlet pressure	0.3-3 / 0.5-8 / 0.5-17.2 / 2,5-25 / 5-50 Bar   44-44 / 7.2-116 / 7.2-250 / 36-362 / 72,5-725 Psi	
Gauge connections	1/4" BSP F - 1/4" NPT F	
Self-relieving port	1/8 GF	M6
Flow rate*	290 Nm <sup>3</sup> /h – 4800 dm <sup>3</sup> /min	370 Nm <sup>3</sup> /h – 6166 dm <sup>3</sup> /min
Kv*	Kv = 2.12 Nm <sup>3</sup> /h (EN 60534)	
Weight	1.6kg/3lb	2.3kg/5lb
Working temp.	-25°C to +110°C (HNBR) / -50°C to +130°C (EPDM) / -60°C to +230°C Silicone / -20°C +200°C FKM (optional)	
Conformity to Directives	2014/34/EU ATEX - ASTM A182 Nace MR0.175 - 2014/68/EU PED	

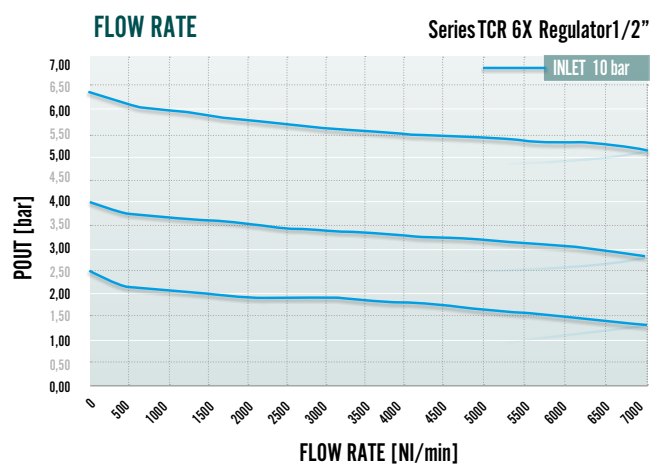
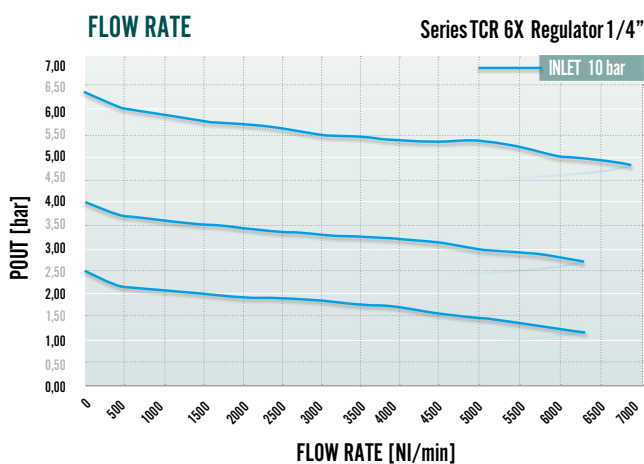
\*) Pin 10bar, Pout 6.3bar, ΔP 1bar

## Stainless steel



SIZE	A	B	C	D	E	F	G	H	I
1/4"-3/8"	163	60	41	1/4"-3/8"	60	41	28	28	31
1/2"	166	68	43	1/2"	68	43	22	32	32
3/4"	179	68	47	3/4"	68	47	22	32	32

SIZE	A	B	C	D	E	F
1/4"	80	59	20	80	100	12
1/2"-3/4"	80	59	20	80	100	12



### OPTIONALS :

- Bracket • Gauge • Flanges (EN1092-1 / ANSI) • Tri-Clamp connections • Without relieving • Dome loaded version • Oring Kalrez ® • Threaded connection for exhausting gas on bonnet • FDA Approval